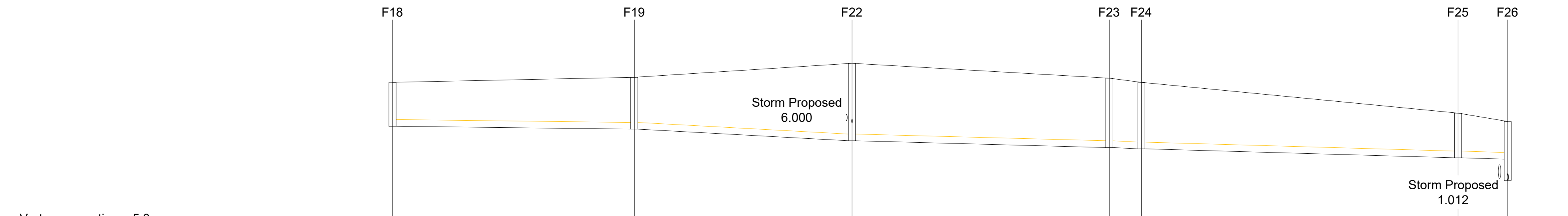


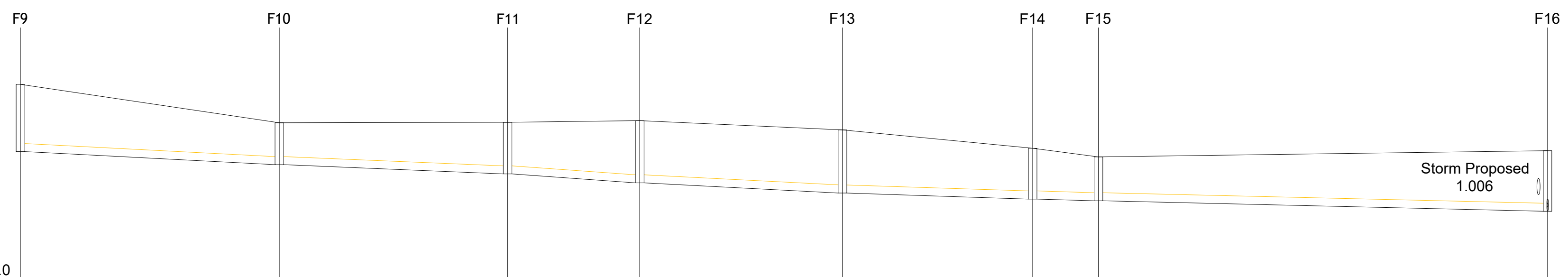
Link Name	2.000
Section Type	225mm
Slope	1:151.7
Cover Level	101.100 101.500
Invert Level	99.675 99.289
Length	58.560

F4 TO F5 LONG SECTION
SCALE 1:500, 5x VERTICAL EXAGGERATION



Link Name	4.000	4.001	4.002	4.003	4.004	4.005
Section Type	225mm	225mm	225mm	225mm	225mm	225mm
Slope	1:413.7	1:94.3	1:189.3	1:122.0	1:176.4	1:180.8
Cover Level	100.900 101.070	101.540	101.040 100.900	99.870 99.590		
Invert Level	99.427 99.329	99.329 99.329	98.942 98.942	98.714 98.714 98.670 98.670	98.369 98.369	98.323 98.323
Length	40.544	36.490	43.150	5.366	53.109	8.316

F18 TO F26 LONG SECTION
SCALE 1:500, 5x VERTICAL EXAGGERATION



Link Name	3.000	3.001	3.002	3.003	3.004	3.005	3.006
Section Type	225mm	225mm	225mm	225mm	225mm	225mm	225mm
Slope	1:98.9	1:124.9	1:73.7	1:99.9	1:157.0	1:183.5	1:216.0
Cover Level	101.420	100.350	100.364	100.410	100.150	99.640	99.400
Invert Level	99.545	99.180 99.180	98.925 98.925	98.675 98.675	98.392 98.392	98.223 98.223	98.173 98.173
Length	36.105	31.841	18.433	28.277	26.535	9.173	62.650

F9 TO F16 LONG SECTION
SCALE 1:500, 5x VERTICAL EXAGGERATION

Rev	Amendment	By	Date	Rev	Amendment	By	Date
C01	ISSUE FOR PLANNING	DAP	2022/06/27				

Client:
DSPL Ltd.

Project: RATHGOWAN RESIDENTIAL DEVELOPMENT			
Title: FOUL WATER LONG SECTIONS - SHEET 2			
Drawn: DAP	Date drawn: MAY 2022	Technician Check: IBS	Engineer Check: SO
Approved: PC			
Project No: 202215	Model No: 202215-PUNCH-XX-XX-M2-0175-0177	Drawing Status: AD PLANNING	
Scale @ A1: AS SHOWN	Document No: 202215-PUNCH-XX-XX-DR-C-0176	Revision No: C01	