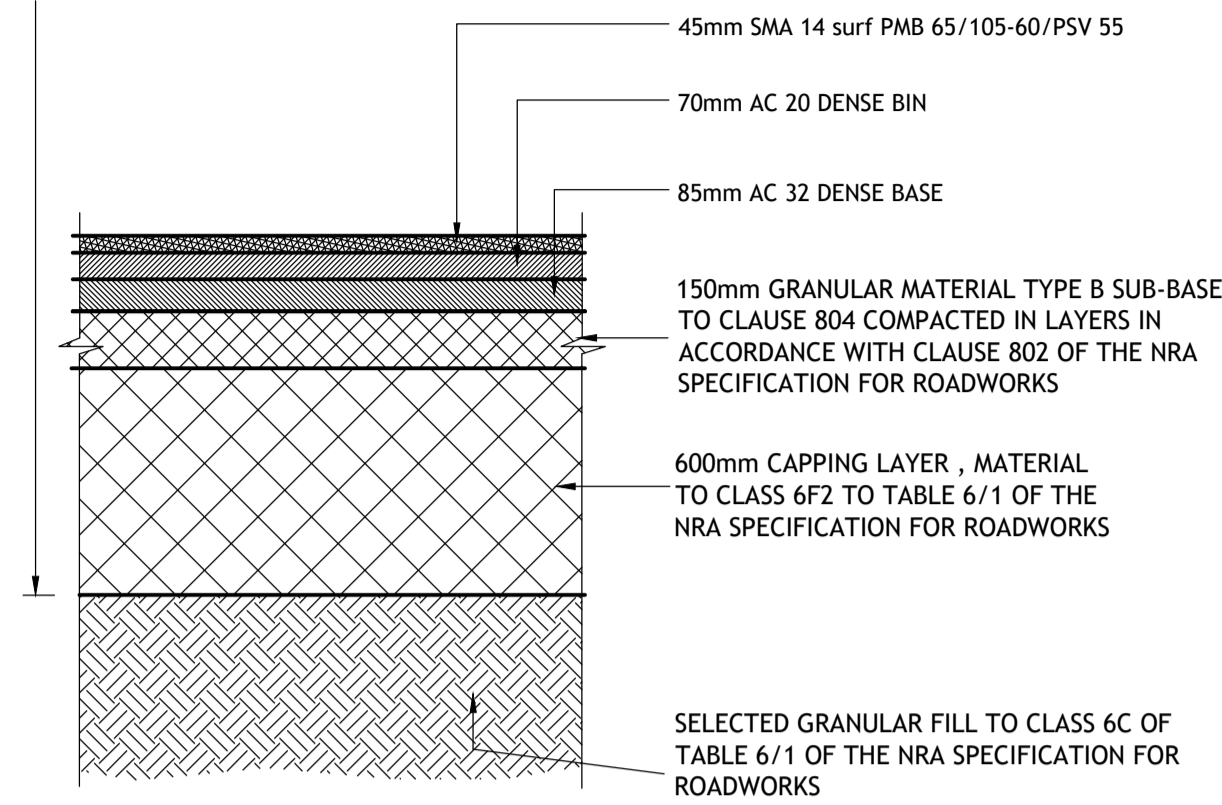
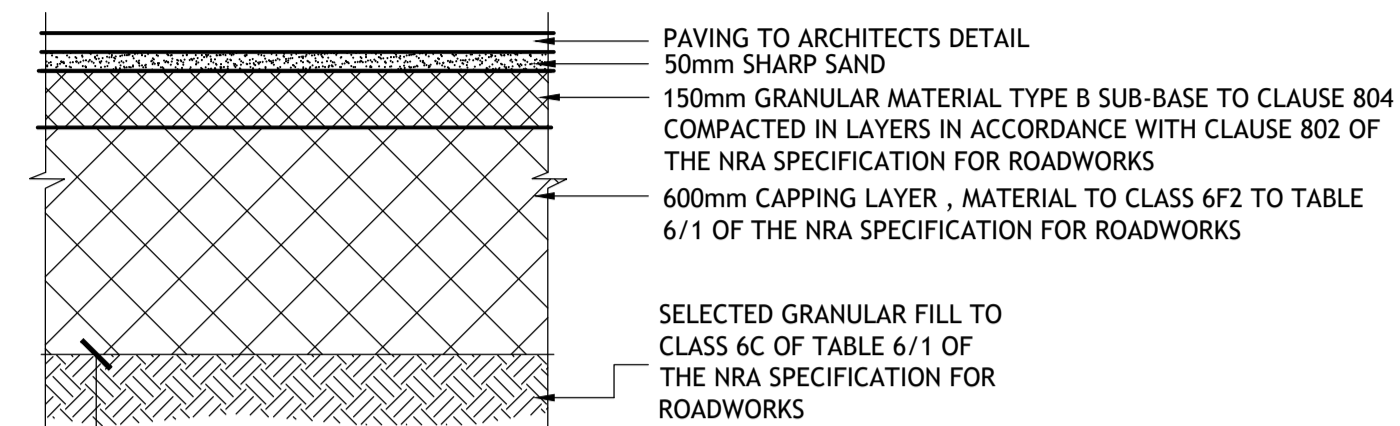


THE CONTRACTOR SHALL CARRY OUT PLATE BEARING TESTS AT 15m GRID ALONG ALL ROADS & CARPARKING BAYS WITHIN THE SITE AT A DEPTH OF 900mm BELOW PROPOSED FINISHED GROUND LEVEL TO ESTABLISH THE CBR%.
450mm x 450mm PLATE BEARING TESTS TO BE CARRIED OUT. THE CONTRACTOR SHALL SUBMIT CBR RESULTS TO ENGINEER FOR REVIEW PRIOR TO PROCUREMENT OF CAPPING LAYER.



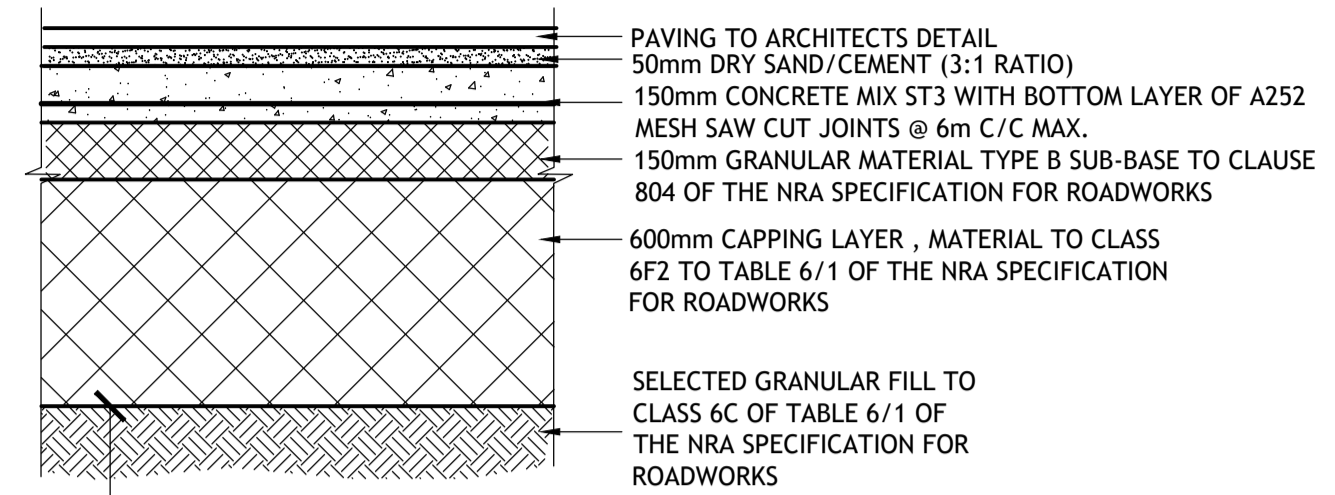
TYPE 1 PAVEMENT: ROADWAYS
SCALE 1:20

NOTE: BUILD UP DETAILS SUITABLE FOR LOCATIONS WHERE CBR TEST RESULTS = 2% OR GREATER



THE CONTRACTOR SHALL CARRY OUT PLATE BEARING TESTS AT 15m GRID ALONG ALL ROADS & CARPARKING BAYS WITHIN THE SITE AT A DEPTH OF 880mm BELOW PROPOSED FINISHED GROUND LEVEL TO ESTABLISH THE CBR%.
450mm x 450mm PLATE BEARING TESTS TO BE CARRIED OUT. THE CONTRACTOR SHALL SUBMIT CBR RESULTS TO ENGINEER FOR REVIEW PRIOR TO PROCUREMENT OF CAPPING LAYER.

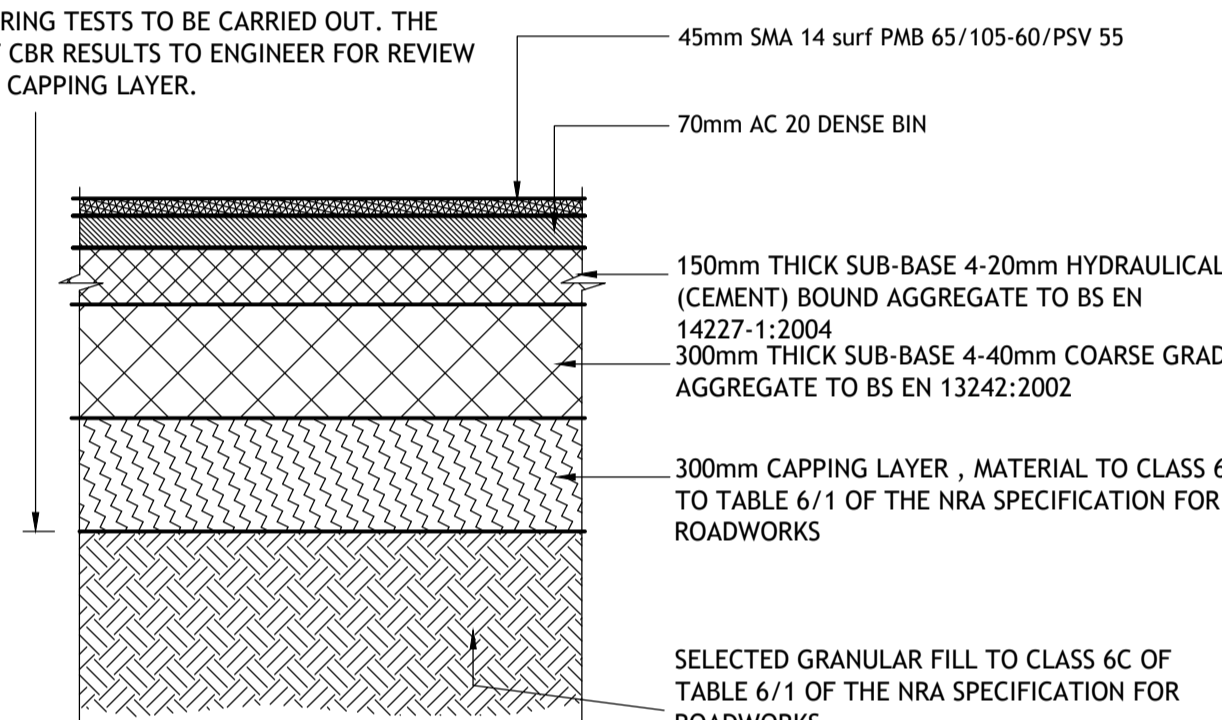
TYPE 2 PAVEMENT: BLOCK PAVING IN NON-TRAFFICKED AREAS
SCALE 1:20



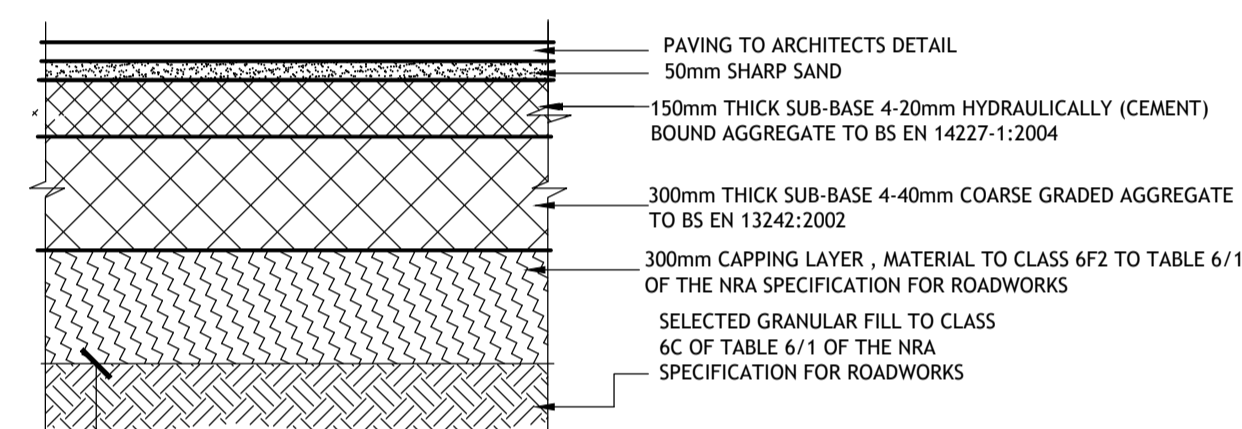
THE CONTRACTOR SHALL CARRY OUT PLATE BEARING TESTS AT 15m GRID ALONG ALL ROADS & CARPARKING BAYS WITHIN THE SITE AT A DEPTH OF 1000mm BELOW PROPOSED FINISHED GROUND LEVEL TO ESTABLISH THE CBR%.
450mm x 450mm PLATE BEARING TESTS TO BE CARRIED OUT. THE CONTRACTOR SHALL SUBMIT CBR RESULTS TO ENGINEER FOR REVIEW PRIOR TO PROCUREMENT OF CAPPING LAYER.

TYPE 3 PAVEMENT: BLOCK PAVING IN TRAFFICKED AREAS
SCALE 1:20

THE CONTRACTOR SHALL CARRY OUT PLATE BEARING TESTS AT 15m GRID ALONG ALL ROADS & CARPARKING BAYS WITHIN THE SITE AT A DEPTH OF 880mm BELOW PROPOSED FINISHED GROUND LEVEL TO ESTABLISH THE CBR%.
450mm x 450mm PLATE BEARING TESTS TO BE CARRIED OUT. THE CONTRACTOR SHALL SUBMIT CBR RESULTS TO ENGINEER FOR REVIEW PRIOR TO PROCUREMENT OF CAPPING LAYER.



TYPE 4 PAVEMENT: PERMEABLE ROADWAYS (SUDS)
SCALE 1:20



THE CONTRACTOR SHALL CARRY OUT PLATE BEARING TESTS AT 15m GRID ALONG ALL ROADS & CARPARKING BAYS WITHIN THE SITE AT A DEPTH OF 880mm BELOW PROPOSED FINISHED GROUND LEVEL TO ESTABLISH THE CBR%.
450mm x 450mm PLATE BEARING TESTS TO BE CARRIED OUT. THE CONTRACTOR SHALL SUBMIT CBR RESULTS TO ENGINEER FOR REVIEW PRIOR TO PROCUREMENT OF CAPPING LAYER.

TYPE 5 PAVEMENT: PERMEABLE BLOCK PAVING (SUDS)
SCALE 1:20

Rev	Amendment	By	Date	Rev	Amendment	By	Date	Client:
C01	ISSUE FOR PLANNING	IBS	2021/09/14					DSPL Ltd.
C02	ISSUE FOR PLANNING	RD	2022/06/27					

Project: RATHGOWAN RESIDENTIAL DEVELOPMENT				
Title: TYPICAL CIVIL DETAILS - SHEET 4				
Drawn: RD	Date drawn: AUG 2021	Technician Check: IBS	Engineer Check: SQ	Approved: PC
Project No: 202215	Modell Ref: 202215-PUNCH-XX-XX-M2-0500	Drawing Status: AO PLANNING		
Scale of A1: AS SHOWN	Document No: 202215-PUNCH-XX-XX-DR-C-0503	Revision No: C02		